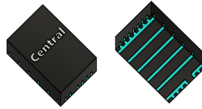
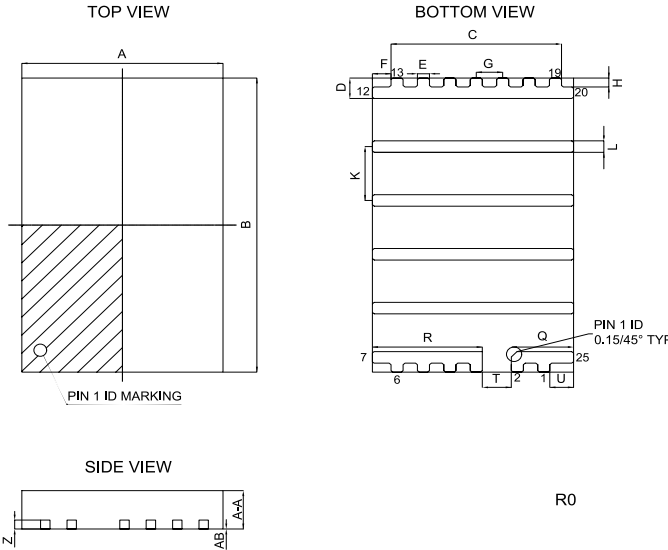


Package Details

CSP4X6 Case



Mechanical Drawing

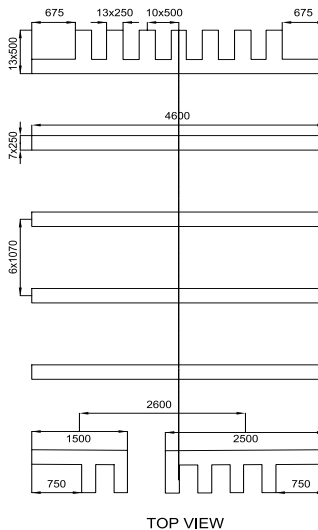


| SYMBOL | INCHES | | MILLIMETERS | |
|--------|--------|-------|-------------|------|
| | MIN | MAX | MIN | MAX |
| A | 0.154 | 0.161 | 3.90 | 4.10 |
| B | 0.232 | 0.240 | 5.90 | 6.10 |
| C | 0.124 | 0.132 | 3.15 | 3.35 |
| D | 0.014 | 0.022 | 0.35 | 0.55 |
| E | 0.008 | 0.012 | 0.20 | 0.30 |
| F | 0.015 | | 0.375 | |
| G | 0.020 | | 0.50 | |
| H | 0.008 | | 0.20 | |
| K | 0.042 | | 1.07 | |
| L | 0.008 | 0.012 | 0.20 | 0.30 |
| Q | 0.043 | 0.051 | 1.10 | 1.30 |
| R | 0.083 | 0.091 | 2.10 | 2.30 |
| T | 0.022 | 0.026 | 0.55 | 0.65 |
| U | 0.018 | | 0.45 | |
| Z | 0.008 | | 0.203 | |
| AA | 0.030 | 0.037 | 0.75 | 0.95 |
| AB | 0.000 | 0.002 | 0.00 | 0.05 |

CSP4X6 (REV:R0)

R0

Mounting Pad Geometry (Dimensions in μm)



R0 (20-February 2024)