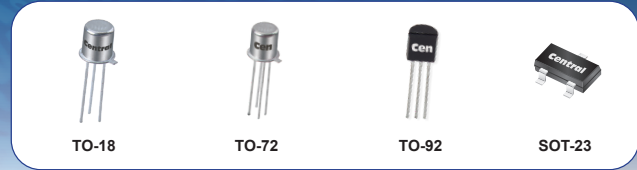


N-Channel & P-Channel JFETs

Ideal for amplifier, mixer, switching, & chopper applications



Central Semiconductor's latest **N-Channel and P-Channel JFET** (Junction Field Effect Transistor) family of products is designed for applications requiring a controlled current, but not a biasing current. These three terminal transistors are available in both epoxy molded surface mount package (SOT-23) and leaded through-hole packages (TO-18, TO-72, TO-92). JFETs are commonly used as electronically-controlled switches or amplifiers.

Features

- Designed for low noise amplification and switching circuitry
- High input impedance & low output impedance for buffer applications
- Output voltage drift prevention

Applications

- Cascode amplifier
- Constant current biasing system
- Audio switch
- Audio amplifier

Benefits

- Industry-standard legacy through-hole and surface mount packages
- Energy efficiency
- Exceptionally beneficial for analog signal transmitting applications

Through-Hole Devices

TO-18 Package				
Central Item No.	BV _{GSS} MIN (V)	V _{GS(OFF)} MIN (V)	V _{GS(OFF)} MAX (V)	I _G MAX (mA)
2N3971	40	2.0	5.0	50
2N3972	40	0.5	3.0	50
2N4091	40	5.0	10	10
2N4092	40	2.0	7.0	10
2N4093	40	1.0	5.0	10
2N4391	40	4.0	10	50
2N4392	40	2.0	5.0	50
2N4393	40	0.5	3.0	50
2N4856	40	4.0	10	50
2N4856A	40	4.0	10	50
2N4857	40	2.0	6.0	50
2N4857A	40	2.0	6.0	50
2N4858	40	0.8	4.0	50
2N4858A	40	0.8	4.0	50
2N4859	30	4.0	10	50
2N4859A	30	4.0	10	50
2N4860	30	2.0	6.0	--
2N4860A	30	2.0	6.0	--
2N4861	30	0.8	4.0	--
2N4861A	30	0.8	4.0	--

N-Channel

TO-72 Package				
Central Item No.	BV _{GSS} MIN (V)	V _{GS(OFF)} MIN (V)	V _{GS(OFF)} MAX (V)	I _G MAX (mA)
2N4416	30	--	6.0	10
2N4416A	35	2.5	6.0	10

N-Channel

TO-92 Package				
Central Item No.	BV _{GSS} MIN (V)	V _{GS(OFF)} MIN (V)	V _{GS(OFF)} MAX (V)	I _G MAX (mA)
2N3819	25	--	8.0	10
2N5486	25	2.0	6.0	10
PN4091	40	5.0	10	10
PN4092	40	2.0	7.0	10
PN4093	40	1.0	5.0	10
PN4391	40	4.0	10	50
PN4392	40	2.0	5.0	50
PN4393	40	0.5	3.0	50

N-Channel

Surface Mount Devices

SOT-23 Package				
Central Item No.	BV _{GSS} MIN (V)	V _{GS(OFF)} MIN (V)	V _{GS(OFF)} MAX (V)	I _G MAX (mA)
CMPF4391	40	4.0	10	50
CMPF4392	40	2.0	5.0	50
CMPF4393	40	0.5	3.0	50
CMPF4416A	35	2.5	6.0	10
CMPF5484	25	0.3	3.0	10
CMPF5485	25	0.5	4.0	10
CMPF5486	25	2.0	6.0	10
CMPFJ175	30	3.0	6.0	50
CMPFJ176	30	1.0	4.0	50

N-Channel

P-Channel

SPICE Models and other technical resources:

Visit www.centalsemi.com to download SPICE models for these devices.

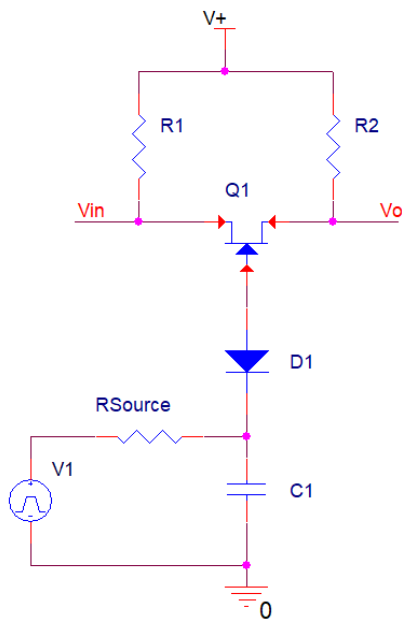
RoHS and REACH compliance declarations

Visit the Quality section of Central's website to access.

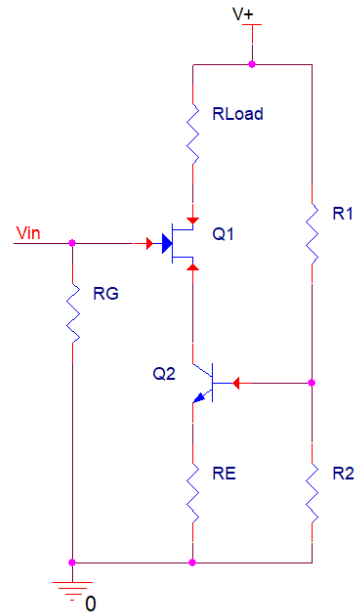
N-Channel & P-Channel JFETs

Ideal for amplifier, mixer, switching & chopper applications

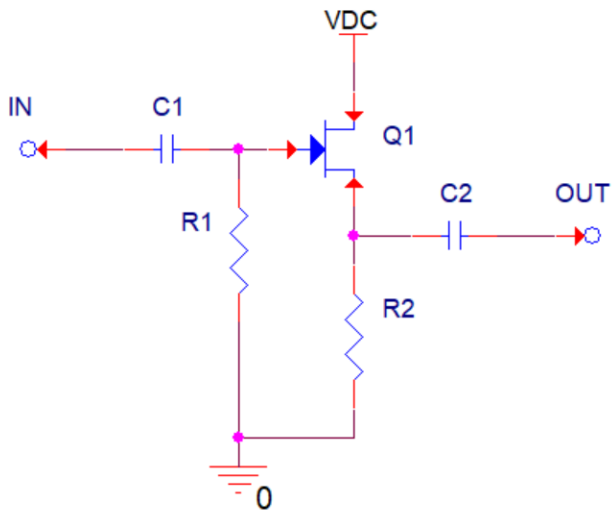
Application: Audio Amplifier



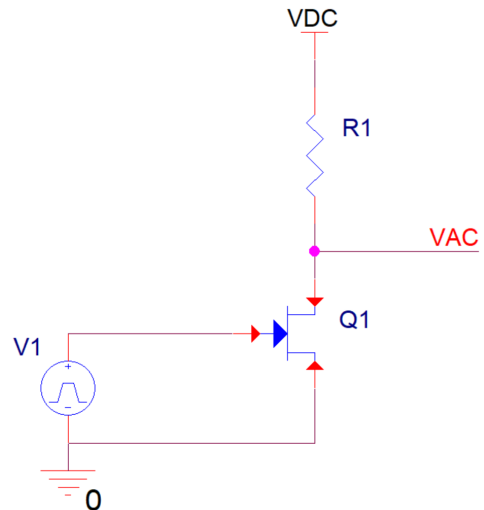
Application: Constant Current Bias Circuit



Application: Buffer



Application: Chopper



For more information on Central's products and potential solutions:

Call us at: **1.631.435.1110**

Or view online: www.centrasemi.com/featured-products

Just Ask