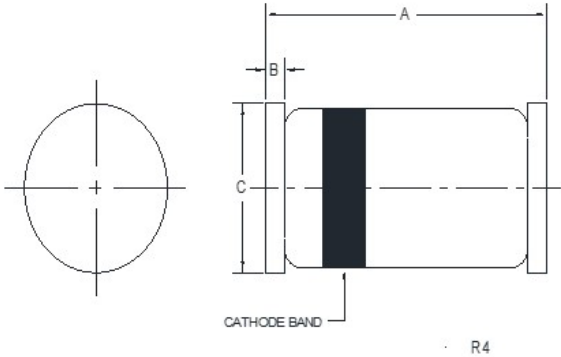


# Package Details

## MELF Case



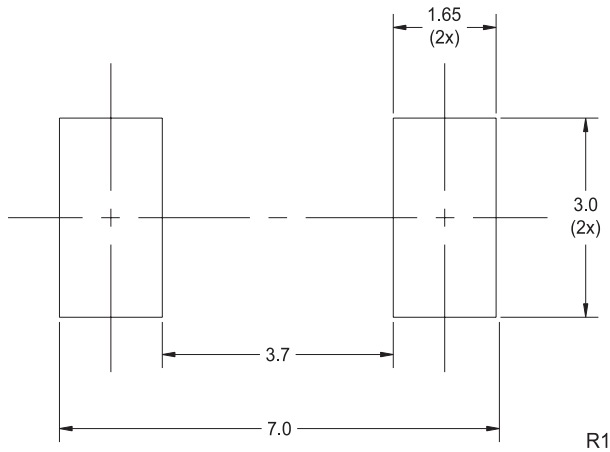
### Mechanical Drawing



SYMBOL	DIMENSIONS			
	INCHES		MILLIMETERS	
	MIN	MAX	MIN	MAX
A	0.185	0.217	4.70	5.50
B	0.012	0.022	0.30	0.56
C (DIA)	0.094	0.115	2.40	2.92
MELF (REV:R4)				

Part Marking: Cathode Band

### Mounting Pad Geometry (Dimensions in mm)



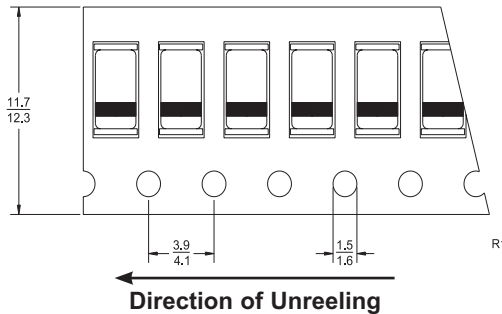
# Package Details

## MELF Case



### Tape Dimensions and Orientation (Dimensions in mm)

Tape Width: 12mm



Devices are taped in accordance with Electronic Industries Association Standard EIA-481-1-A

### Packaging Base

7" Reel = 1,500 pcs.

### Reel Labeling Information

Each reel is labeled with the following information:

Central Part Number, Customer Part Number, Purchase Order Number, Quantity, Lot Number, Date Code and Ship Date.

### Reel Packing Information

Reel Size	Reels per Box (Maximum)	Parts per Box (Maximum)	Box Dimensions		Shipping Weight (Max.)	
			INCH	CM	LB	KG
7"	6	9,000	9x9x5	23x23x13	6	3
	13	19,500	9x9x9	23x23x23	11	5
	32	48,000	21x9x9	53x23x23	27	13
	82	123,000	27x9x17	69x23x43	68	31

### Ordering Information

- For devices taped and reeled on 7" reels, add TR suffix to part number.
- All SMDs are available in small quantities for prototype and manual placement applications.

R3 (28-June 2023)