



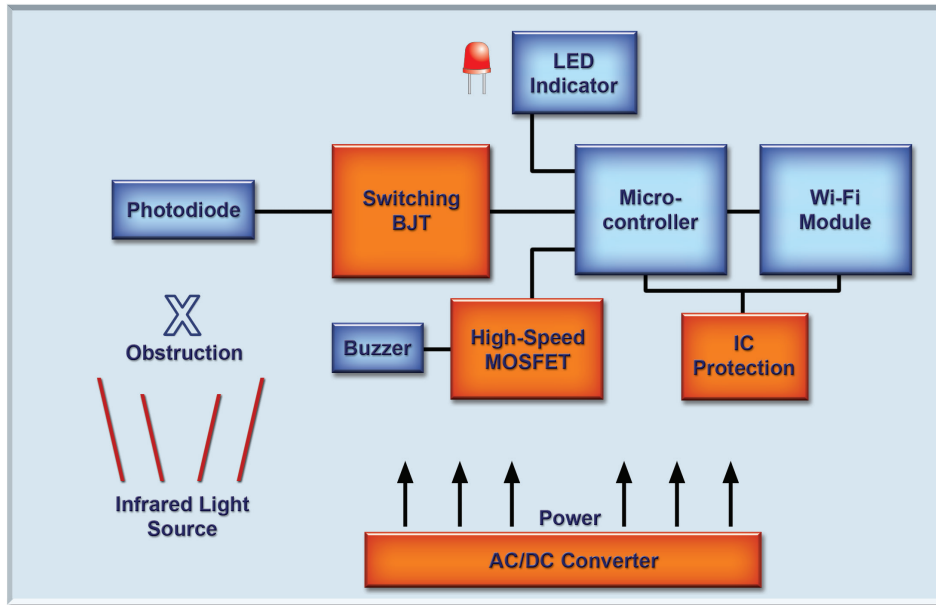
## Alarm Sensor Circuit



Security systems are an extremely important component of protecting any building and the contents, whether it be residential, retail, or other. In order to adequately notify an owner of a break-in, the semiconductor devices integrated into the alarm circuit must demonstrate rapid response times and be highly reliable. Central Semiconductor has a wide portfolio of discrete devices that are both fast-switching and of the highest quality, guaranteeing optimal security system operation.

For more information visit: [www.centrasemi.com/applications](http://www.centrasemi.com/applications)

### Receiver & Main Console - Single Unit



#### Switching BJT

##### • Transistors (Standard Switching Options)



BC546A:	100mA NPN (TO-92)
BC547B:	100mA NPN (TO-92)
BC184B:	200mA NPN (TO-92)
BC337:	800mA NPN (TO-92)

##### • Transistors (Low Noise Options)



BCV72:	100mA NPN (SOT-23)
BCX70G:	100mA NPN (SOT-23)

#### High Speed MOSFET

##### • MOSFETs

– CEDM7001:	10VGS, 100mA (SOT-883)
– CEDM7001VL:	10VGS, 100mA (SOT-883VL)
– CMNDM7001:	10VGS, 100mA (SOT-953)
– CMUDM7001:	10VGS, 100mA (SOT-523)

#### AC/DC Converter

##### • Bridge Rectifiers

– CBRHD-06:	600V, 500mA (HDDIP)
– CBR1-D060S:	600V, 1A (SMDIP)

##### • North America Protection

– P6SMB200CA:	171V (SMB)
---------------	------------

##### • Europe Protection

– P6KE400CA:	343V (DO-15)
--------------	--------------

#### IC Protection

##### • Transient Voltage Suppressors (Power 12W-20W)

– CFTVS5V0LC:	5V Logic (SOD-882L)
– CFTVS5V0BULC:	5V Logic (SOD-882L)
– CMO5V0LC:	5V Logic (SOD-523)

##### • Transient Voltage Suppressors (Power 25W-40W)

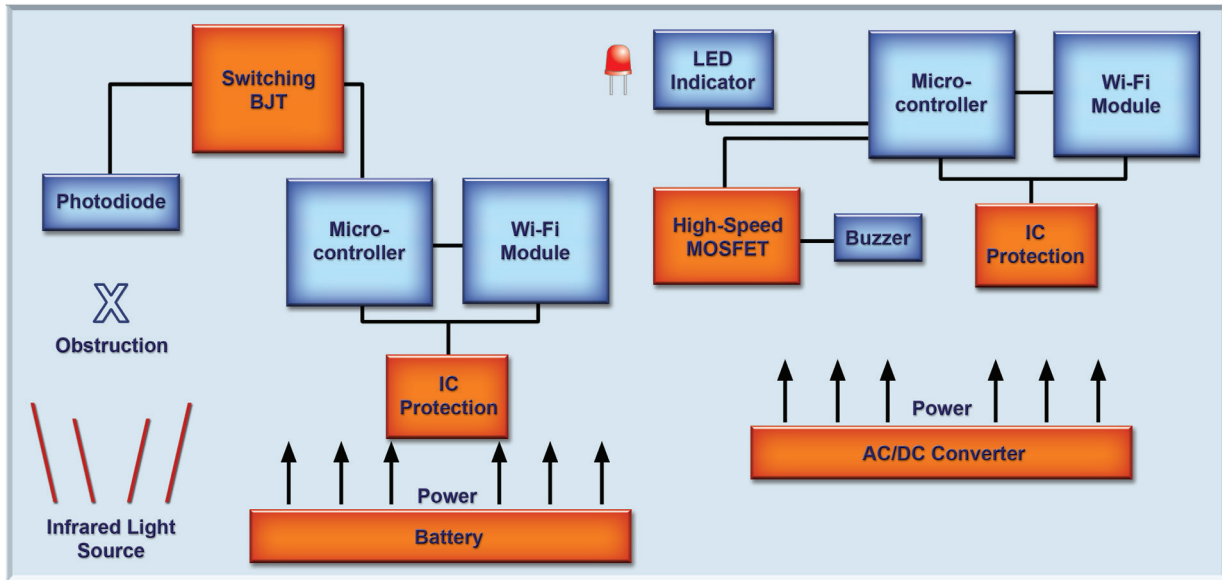
– CMNTVS5V0:	5V Logic (SOT-953)
– CTLTVS5V0B:	5V Logic (TLM2D3D6)
– CTLTVS5V0BULC:	5V Logic (TLM2D3D6)
– CFTVS3V3B:	3.3V Logic (SOD-882)



Industrial

# Alarm Sensor Circuit

## Receiver & Main Console - Separate Units



### Switching BJT

#### • Transistors (Standard Switching Options)



- BC546A: 100mA NPN (TO-92)
- BC547B: 100mA NPN (TO-92)
- BC184B: 200mA NPN (TO-92)
- BC337: 800mA NPN (TO-92)

#### • Transistors (Low Noise Options)



- BCV72: 100mA NPN (SOT-23)
- BCX70G: 100mA NPN (SOT-23)

### IC Protection

#### • Transient Voltage Suppressors (Power 12W-20W)



- CFTVS5V0LC: 5V Logic (SOD-882L)
- CFTVS5V0BULC: 5V Logic (SOD-882L)
- CMO5V0LC: 5V Logic (SOD-523)

#### • Transient Voltage Suppressors (Power 25W-40W)



- CMNTVS5V0: 5V Logic (SOT-953)
- CTLTVS5V0B: 5V Logic (TLM2D3D6)
- CTLTVS5V0BULC: 5V Logic (TLM2D3D6)
- CFTVS3V3B: 3.3V Logic (SOD-882)

### High Speed MOSFET

#### • MOSFETs



- CEDM7001: 10VGS, 100mA (SOT-883)
- CEDM7001VL: 10VGS, 100mA (SOT-883VL)
- CMNDM7001: 10VGS, 100mA (SOT-953)
- CMUDM7001: 10VGS, 100mA (SOT-523)

### AC/DC Converter

#### • Bridge Rectifiers



- CBRHD06: 600V, 500mA (HDDIP)
- CBR1-D060S: 600V, 1A (SMDIP)

#### • North America Protection



- P6SMB200CA: 171V (SMB)

#### • Europe Protection



- P6KE400CA: 343V (DO-15)

### IC Protection

#### • Transient Voltage Suppressors (Power 12W-20W)



- CFTVS5V0LC: 5V Logic (SOD-882L)
- CFTVS5V0BULC: 5V Logic (SOD-882L)
- CMO5V0LC: 5V Logic (SOD-523)

#### • Transient Voltage Suppressors (Power 25W-40W)



- CMNTVS5V0: 5V Logic (SOT-953)
- CTLTVS5V0B: 5V Logic (TLM2D3D6)
- CTLTVS5V0BULC: 5V Logic (TLM2D3D6)
- CFTVS3V3B: 3.3V Logic (SOD-882)